

About Us

Chromagen, a pioneer in the production of solar water solutions since 1962, is the market-leader in Israel, which leads the world in per capita installations. Globally, the company has developed a solid install base, increasing supply and demand annually. Chromagen's systems, which are available in more than 35 countries worldwide, bring innovation, quality and cost savings to home owners, institutions and commercial projects. The commitment to deliver top-of-the-line water-heating solar solutions is in conjunction with the belief to promote environmental awareness.



Best-in-class
clean hot water solutions



Environmental health



Energy efficiency



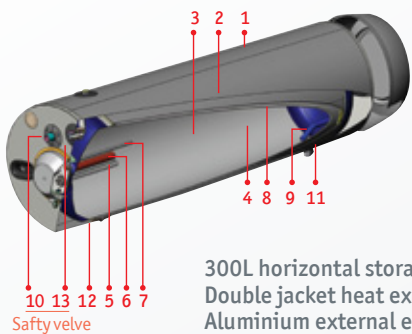
Customer service



Product innovation

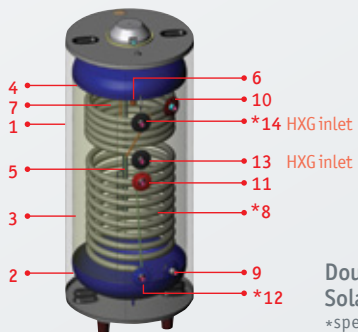
designshoot: B18012010152310 @ 2010 Chromagen. Subject to change without notice.





300L horizontal storage tank
Double jacket heat exchanger
Aluminium external envelope

- 1 | **External Coating** | Polyester coating provides extreme durability and an attractive finish.
- 2 | **Insulation** | A thick polyurethane insulation layer ensures optimal insulation and heat retention.
- 3 | **Storage Tank** | Constructed with thick steel, automatically welded, ensuring precision and permitting a working pressure of 8 bar.
- 4 | **Enamel Coating** | An internal glass-enamel layer protects against corrosion.
- 5 | **Electric Element** | Energy-efficient electric element with rapid heating time enables the provision of hot water 24 hours a day, 365 days a year.
- 6 | **Sacrificial Anode** | Magnesium Anode provides anti-corrosion protection to the pressure vessel.
- 7 | **Thermostat** | A built-in thermostat ensures that the water temperature inside the tank does not exceed a preset temperature, while using the electric heating element.
- 8 | **Double Jacket Heat Exchanger**
- 9 | **Cold Water Inlet**
- 10 | **Hot Water to User**
- 11 | **Heat Exchanger Inlet**
- 12 | **Heat Exchanger Outlet**
- 13 | **Heat Exchanger Safety Valve**
- 14 | *** Auxiliary Heating Inlet**



Double Spiral
Solar Water Tank
*specific for this tank only

Chromagen's Tanks:

Capacity (l)	Dimensions (HxD) (mm)	Weight (kg)	Electric Element (KW)
120	860x560	46	2.5/ None
150	1020x560	53	
	1480x477	73	
200	1270x560	65	2.5/ 3 /3.6 /None
300	1430x650	91	
300	1809x586	95	3.6
400	1800x650	110	3.6 /None
400	1795x645	105	3.6 /None
100	1075x477	71	1.8/2/2.5/ None
120	1250x477	74	
150	1020x585	75	
200	1270x585	93	2.5/ 3 /3.6 / None
300	1430x690	133	
300	1814x578	145	

Solar Tanks

Solar & Electric Tanks with Double Jacket Heat Exchanger

Capacity (l)	Dimensions (HxD) (mm)	Weight (kg)	Electric Element (KW)
Single Spiral Tank			
120	860x585	74	2.5/ None
	1250x477	78	
150	1020x585	75	
	1480x477	88	
200	1280x585	90	2.5/3 /3.6 /None
300	1430x650	133	
Double Spiral Tank			
200	1280x585	108	2.5 / None
300	1430x650	145	2.5/ 3 /3.6 / None
30	670x360	23	1.8/2/2.5
45	885x360	29	
60	740x477	31	
80	930x477	40	
120	860x565	46	
120	1260x477	50	
150	1020x585	65	
200	1280x585	91	
300	1430x650	100	

Solar & Electric Tanks with Spiral Heat Exchanger

Electric Tanks

- Tanks for horizontal or vertical mounting are available. All tanks are tested at a pressure of 12 bar, with a permitted working pressure of up to 8 bar.
- Due to on-going developments, specifications are subject to changes without early notice.



(* Storage tanks weight refers to painted galvanized envelope and common heat exchanger size. Tanks weight might change due to envelope type change or heat exchanger size change upon request.

WATER HEATERS

Chromagen is a leading international manufacturer of solar and electric water heaters, combining the most advanced technology and traditional heating methods. Our products incorporate state-of-the-art engineering, rugged construction and select materials, resulting in efficient and durable products.

